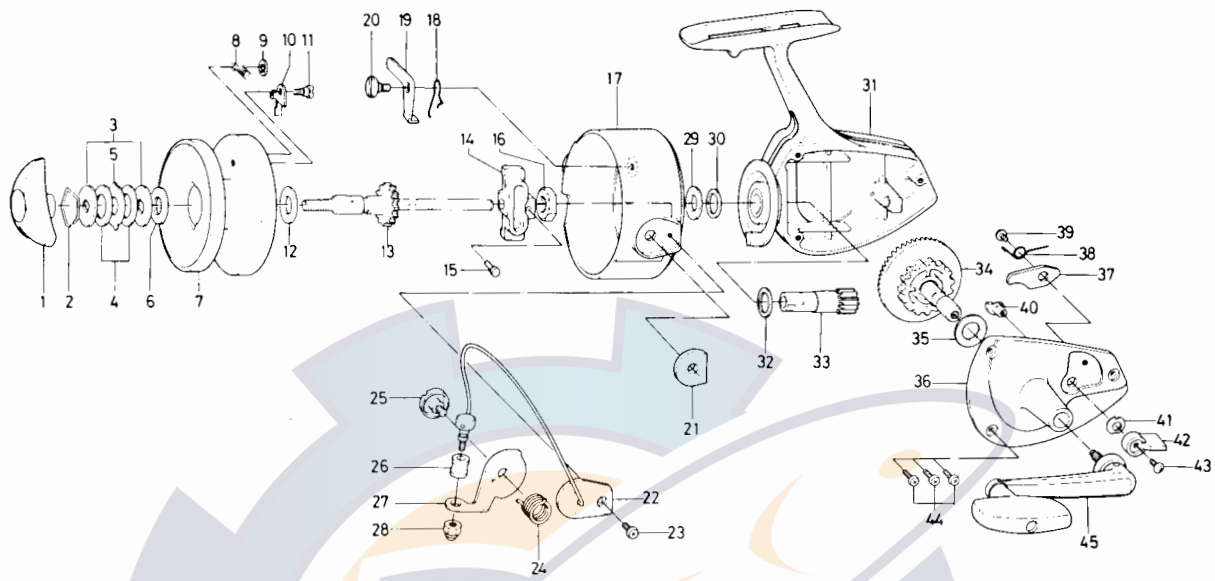




SPINNING REEL 407



Key No. 2 ~ 11

6-733-8601 Spool assembly \$4.75

Key No.	Parts No.	Parts Name	Price Per Piece	Key No.	Parts No.	Parts Name	Price Per Piece
1	6-000-8237	Drag knob	\$2.45	24	6-141-2801	Bail spring	\$.15
2	6-170-4101	Drag washer retainer	.15	25	6-361-6413	Arm lever screw	.70
3	6-372-3711	Drag D washer	.45	26	6-250-2821	Line roller	.45
4	6-372-6504	Disc washer	.40	27	6-231-3101	Arm Lever	1.00
5	6-372-3832	Drag A washer	.20	28	6-340-8501	Bail nut	.45
6	6-372-3003	Drag washer A	.20	29	6-370-7516	Rotor washer A	.15
7	6-514-3801	Spool	See Assy.	30	6-371-6420	Rotor washer B	.15
8	6-140-2221	Spool click claw spring	.15	31	6-701-4401	Body	6.60
9	6-320-9701	Spool click claw spring ret.	.15	32	6-371-6423	Pinion washer	.15
10	6-030-6802	Spool click claw	.25	33	6-403-2301	Pinion gear	3.25
11	6-360-1441	Spool click claw screw	.20	34	6-414-1401	Drive gear	2.30
12	6-372-9601	Spool washer	.15	35	6-371-6420	Drive gear washer	.15
13	6-711-4701	Main shaft	1.70	36	6-063-3301	Body cover	2.35
14	6-481-2801	Oscillating slider	.45	37	6-111-3501	Anti-reverse claw	.25
15	6-121-7001	Oscillating slider pin	.15	38	6-144-0001	Anti-reverse claw spring	.15
16	6-340-8301	Rotor nut	.20	39	6-351-6102	Anti-reverse claw screw	.15
17	6-202-1201	Rotor	4.50	40	6-461-2201	Anti-reverse cam	.25
18	6-140-6231	Bail kick lever spring	.15	41	6-150-1751	Anti-reverse lever washer	.15
19	6-570-6821	Bail kick lever	.80	42	6-540-3711	Anti-reverse lever	.35
20	6-363-1501	Bail kick lever screw	.25	43	6-350-1931	Anti-reverse lever screw	.15
21	6-210-4301	Balancer	.35	44	6-351-5901	Body cover screw	.15
22	6-720-2801	Bail	2.95	45	6-747-6801	Handle	5.10
23	6-351-6401	Bail holder screw	.15				